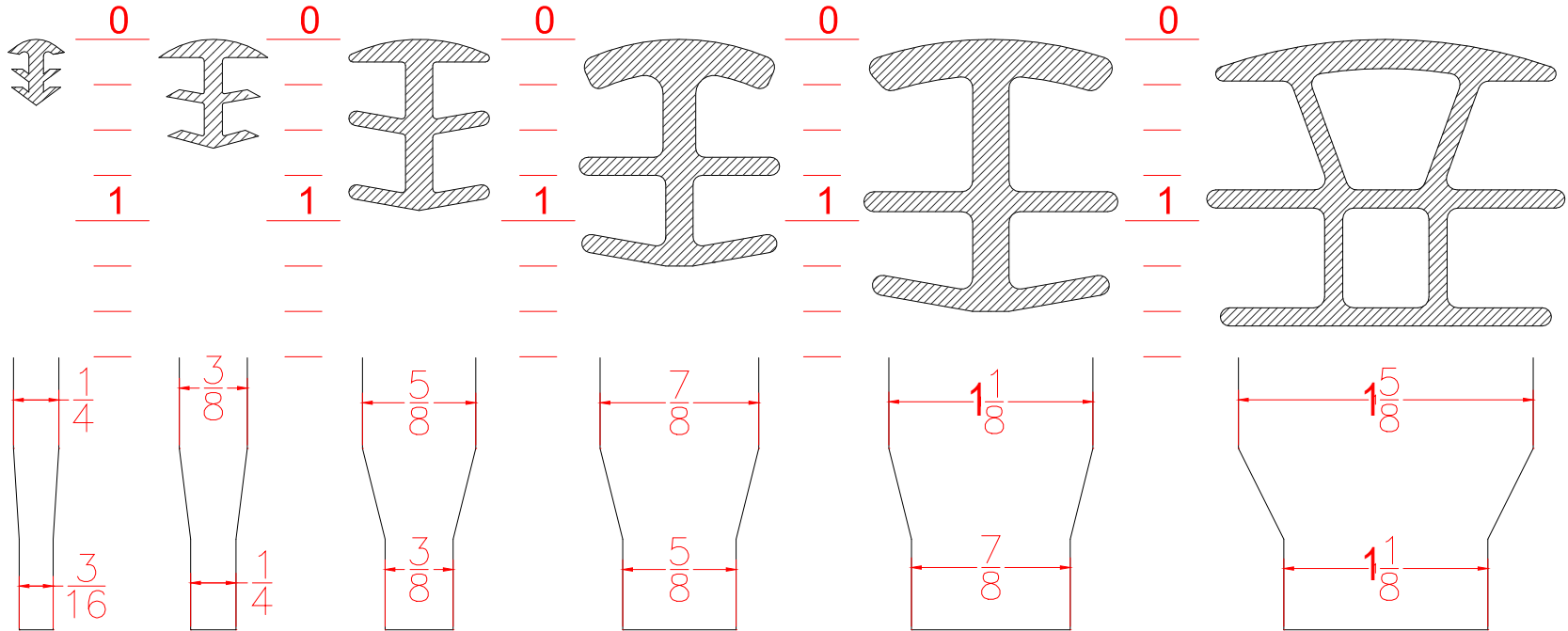


Trim-A-Slab Sizing Guide



3/16" 25, 50 & 500 ft	3/8" 25, 50 & 200 ft	1/2" 25 & 50 ft	3/4" 25 & 50 ft	1" 25 ft rolls	1-3/8" 25 ft rolls
------------------------------	-----------------------------	------------------------	------------------------	-----------------------	---------------------------



1. Measure one of the cutouts to verify that the template is being printed at full scale
2. Cut out along lines
3. The wider end should not fit between the slabs
4. The narrow end should fit between the slabs



This gap should use the 3/4" size